

front
loaders



features

SUBFRAME DESIGNED FOR EACH TRACTOR MODEL



It's the front loader main part and the basis of its proper functioning. It consists of a set of different pieces distributed from the front of the tractor to its back axle, obtaining an uniform repartition of the efforts.

PARTS MANUFACTURED IN CAST STEEL



The main parts of the front loader (connecting rods, boom holders, bends etc...) are manufactured in cast steel, giving the machine its robustness and durability.

CONSOLIDATION CROSSBAR



Part linking both arms from the back so that the loader arms form a solid and balanced structure.

LEVEL INDICATOR FOR IMPLEMENTS



It is an indicator showing that the bucket is flat on the ground and ready for loading.

AUTOMATIC LOADER HITCH



It allows secure and simple loader coupling and uncoupling.

KICK-STAND SYSTEM INTEGRATED IN THE ARM



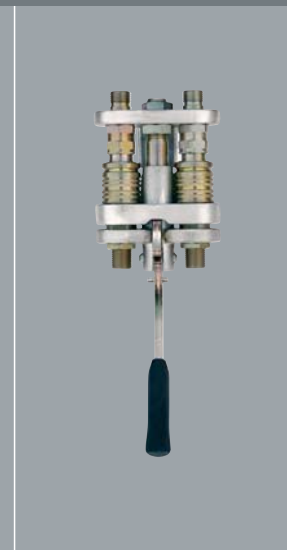
The kick-stand system integrated in the arm allows full stability and security when coupling-uncoupling the loader.

AUTOMATIC HITCH FOR IMPLEMENTS



Only few seconds are needed to hitch or unhitch implements.

FAST HYDRAULIC PLUGGING DR2B System / DR4B System



It allows to connect or disconnect all hydraulic and electric connections at once, just using the lever.

AUTO LUBRICANT BUSHINGS IN EACH JOINT



Bushings in each joint, with greasers in the most problematic areas, ensure the sustainability of the whole.

options

SHOCK ABSORBER

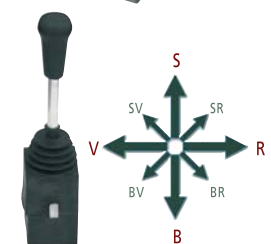
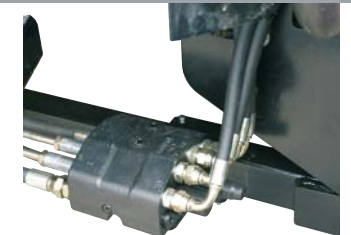


A good confort is obtained for the user as well as protection for all components during transport.

SERVICE LINE FOR HYDRAULIC IMPLEMENTS



JOYSTICK



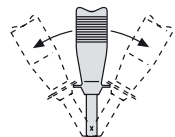
Operating plan for joystick.
Operated from a joystick that allows two moves simultaneously.

Standard Hydraulic Systems

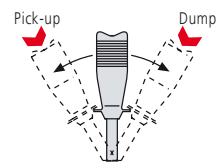
ELECTROVALVE



Lift Lower



Lift activator

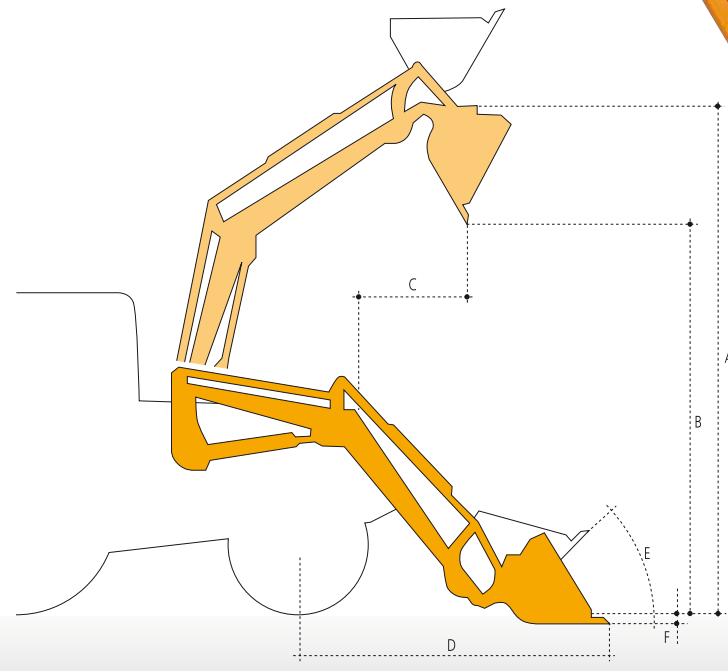


Toss Activator

TRACTOR COMMANDS



serie 300

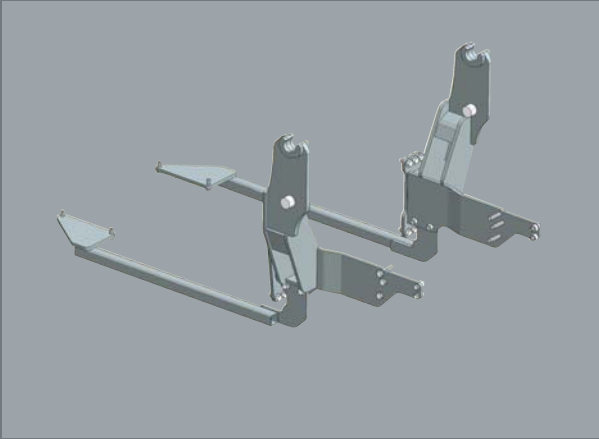


ARM MODEL	A	B	C	D	E	F	G	H
B0	3100	2200	630	2200	35°	100	1000 kg	600 kg
B1	3700	2780	650	2400	43°	100	1600 kg	1000 kg
B2	3940	3020	680	2450	43°	100	1600 kg	1000 kg
B3	4050	3130	620	2500	45°	100	2000 kg	1300 kg
B4	4220	3280	500	2670	40°	100	2200 kg	1500 kg

(G) Start-up power 150 bars • (H) Lifting force 150 bars

features

SUBFRAME DESIGNED FOR EACH TRACTOR MODEL



Sub-frames are designed specifically for each tractor model, enabling access to each part of the motor. The sub-frame and arms are designed to be fully compatible with front-hitches.

DRC SYSTEM IMPLEMENTS QUICK HITCH



Only few seconds are needed to hitch or unhitch implements

LEVEL INDICATOR FOR IMPLEMENTS



A level indicator gives the implement position from the driver's seat

KICK-STAND SYSTEM INTEGRATED IN THE ARM



The kick-stand system integrated in the arm allows full stability to the loader once unhooked from the tractor.

DRP System LOADER QUICK HITCH



The ease of coupling the loader comes from the DRP SYSTEM, a new coupling system granting more security and swiftness.

DR2B System / DR4B System FAST HYDRAULIC PLUGGING



It allows to connect or disconnect all hydraulic and electric connections at once, just using the lever.

AUTO LUBRICANT BUSHINGS IN EACH JOINT



Bushings in each joint, with greasers in the most problematic areas, ensure the sustainability of the whole.

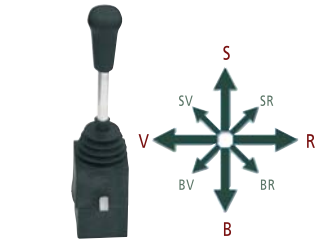
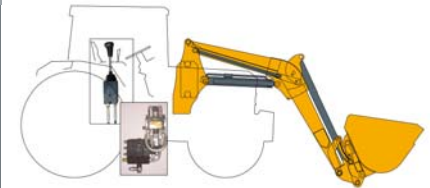
options

AH System SHOCK ABSORBER



DETAIL SHOCK ABSORBER (AH System)
This system provides an additional comfort eliminating all the shocks caused by the driving

MS System JOYSTICK



Operation plan for joystick
Operated from a joystick that allows two moves simultaneously

SERVICE LINE FOR HYDRAULIC IMPLEMENTS



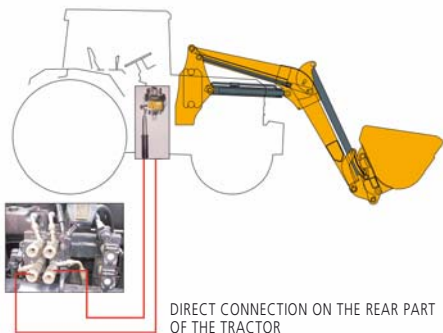
DRB System



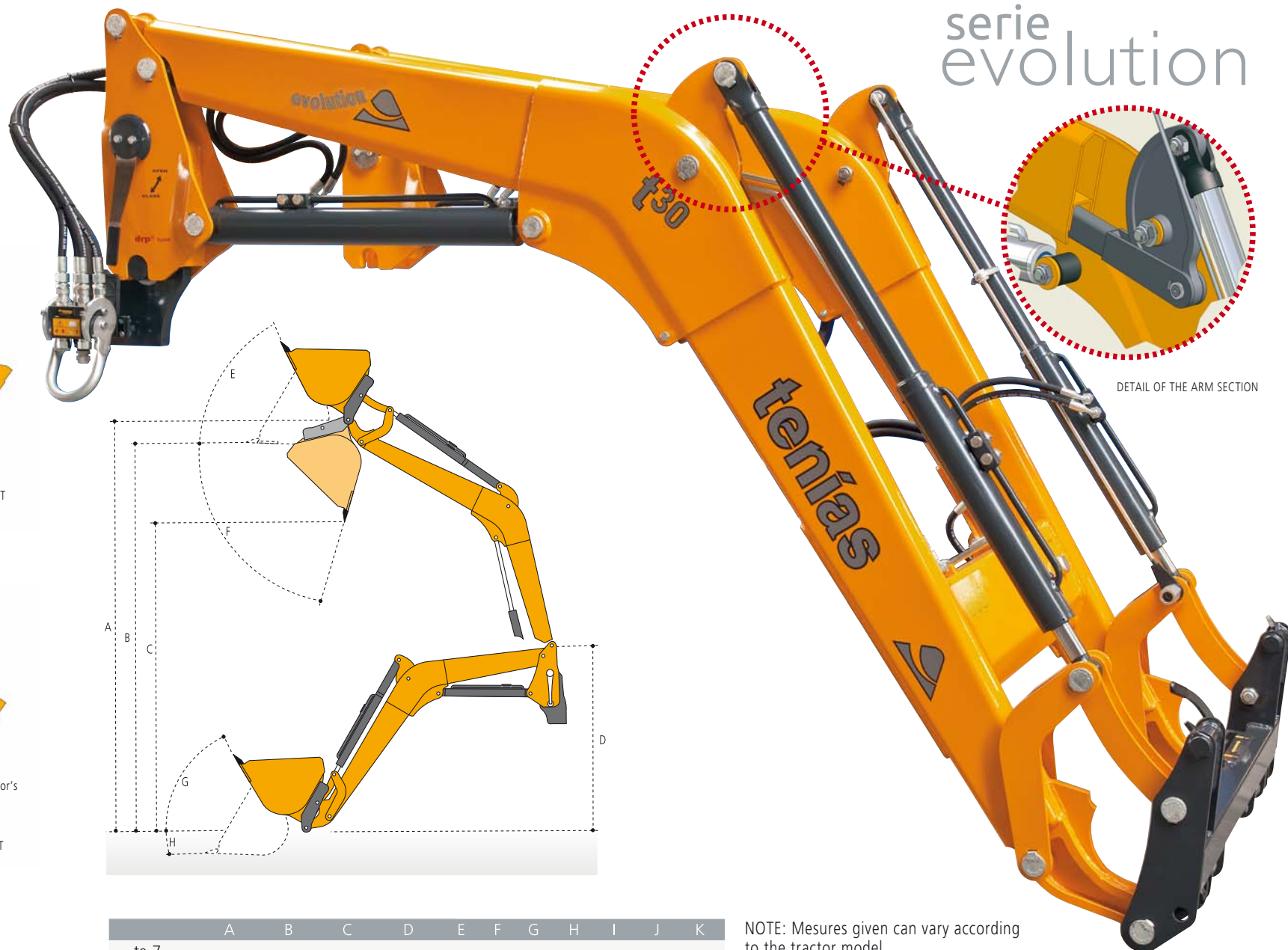
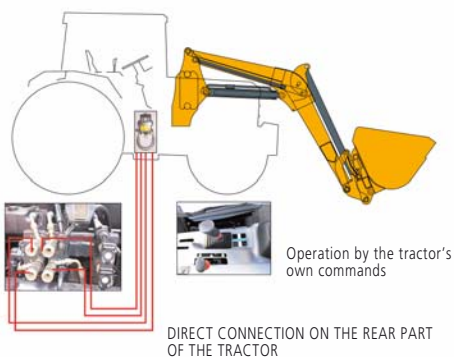
Fast hydraulic plugging with flat tips allowing more cleanliness and plugging with residual pressure.

Standard Hydraulic Systems

E System® ELECTROVALVE

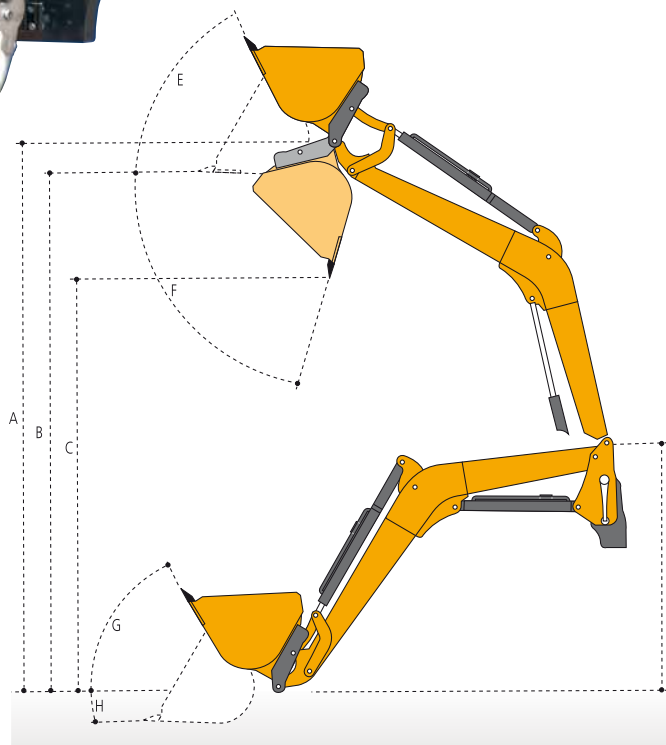


E System® TRACTOR COMMANDS



serie
evolution

DETAIL OF THE ARM SECTION



	A	B	C	D	E	F	G	H	I	J	K
te-7											
te-8	2846	2690	2000	1420	64°	72°	54°	134			
te-9	3142	2909	2295	1469	64°	75°	57°	211			
te-10	3720	3484	2887	1706	64°	74°	57°	214	2728	2068	1628
te-20	4051	3815	3197	1792	64°	75°	59°	214	2160	1824	1530
te-30	4301	4065	3447	1970	62°	74°	57°	214	2858	2133	1755
te-40	4564	4327	3708	2140	62°	74°	57°	214	3177	2550	2215

NOTE: Mesures given can vary according to the tractor model

- I Start-up power
- J Payload at 2,00 m
- K At max. height

Measurements were taken at 190 bar and with a weight placed on pallet fork

STANDARD BUCKET

WIDTH (mm)	HEIGHT (mm)	DEPTH (mm)	INSIDE REINFORCEMENTS	TEETH	CAPACITY (litres)	CAPACITY (litres)	WEIGHT (kgs)
1,25	702	680	1	5	353	441	169
1,50	702	680	2	5	423	528	199
1,75	702	680	2	5	494	617	218
2,00	702	680	3	7	564	705	260
2,20	702	680	3	7	621	776	269
2,40	702	680	3	7	677	846	295



GRAIN BUCKET

WIDTH (mm)	HEIGHT (mm)	DEPTH (mm)	INSIDE REINFORCEMENTS	CAPACITY (litres)	CAPACITY (litres)	WEIGHT (kgs)
1,60	894	907	2	722	902	261
1,80	894	907	2	812	1015	277
2,00	894	907	2	903	1128	298
2,20	894	907	3	993	1241	319
2,40	894	907	3	1083	1353	340



GRAIN SUPPLEMENT FOR STANDARD BUCKET

WIDTH (mm)	HEIGHT (mm)	DEPTH (mm)	CAPACITY (litres)	CAPACITY (litres)	WEIGHT (kgs)
1,25	722	710	542	676	64
1,50	722	710	632	789	75
1,75	722	710	722	902	89
2,00	722	710	812	1015	97
2,20	722	710	903	1128	108
2,40	722	710	993	1241	120



HIGH-TIP BUCKET

WIDTH (mm)	HEIGHT (mm)	DEPTH (mm)	INSIDE REINFORCEMENTS	CYLINDER INSIDE DIAM.	CAPACITY (litres)	CAPACITY (litres)	WEIGHT (kgs)
1,80	1030	907	2	75	1007	1258	456
2,00	1030	907	2	75	1113	1391	476
2,20	1030	907	3	75	1228	1535	496
2,40	1030	907	3	75	1343	1678	516



MULTIPURPOSE BUCKET

WIDTH (mm)	HEIGHT (mm)	DEPTH (mm)	INSIDE REINFORCEMENTS	CAPACITY (litres)	CAPACITY (litres)	WEIGHT (kgs)
1,80	684	511	2	382	477	221
2,00	684	511	3	425	531	250
2,20	684	511	3	468	585	266



SUGAR BEET BUCKET

WIDTH (mm)	HEIGHT (mm)	DEPTH (mm)	INSIDE REINFORCEMENTS	CAPACITY (litres)	CAPACITY (litres)	WEIGHT (kgs)
1,80	823	897	2	731	913	230
2,00	823	897	3	813	1016	251
2,20	823	897	3	894	1117	268
2,40	823	897	3	988	1235	326



POTATO BUCKET

WIDTH (mm)	HEIGHT (mm)	DEPTH (mm)	INSIDE REINFORCEMENTS	CAPACITY (litres)	CAPACITY (litres)	WEIGHT (kgs)
1,80	890	1092	2	902	1127	300
2,00	890	1092	2	1002	1252	330
2,20	890	1092	3	1103	1378	363
2,40	890	1092	3	1217	1521	396



STONE BUCKET

WIDTH (mm)	HEIGHT (mm)	DEPTH (mm)	INSIDE REINFORCEMENTS	TEETH	CAPACITY (litres)	CAPACITY (litres)	WEIGHT (kgs)
1,50	710	860	2	5	530	662	262
1,75	710	860	2	5	618	772	284
2,00	710	860	3	7	707	883	331



BUCKET 4 IN 1

WIDTH (mm)	HEIGHT (mm)	DEPTH (mm)	INSIDE REINFORCEMENTS	TEETH	CAPACITY (litres)	CAPACITY (litres)	CYLINDER INSIDE DIAM. (mm.)	WEIGHT (kgs)
1,50	810	897	2	5	401	501	60	329
1,75	810	897	2	5	468	585	60	383
2,00	810	897	3	7	535	668	60	438



STANDARD PALET FORK

ALLOWED WEIGHT (kgs)	FRAME WIDTH (mm)	HEIGHT (mm)	TINE USEFUL LENGTH (mm)	MIN. TINE WIDTH (mm)	MAX. TINE WIDTH (mm)	WEIGHT (kgs)
1300	1185	646	1240	425	1065	173
2000	1185	646	1240	425	1065	185



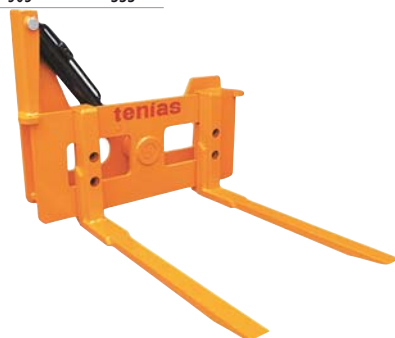
SIDE-SHIFT PALET FORK

FRAME WIDTH (mm)	HEIGHT (mm)	TINE LENGTH (mm)	MIN. TINE WIDTH (mm)	MAX. TINE WIDTH DENT (mm)	CYLINDER INSIDE DIAM. (mm)	WEIGHT (kgs)
1202	525	1225	425	1050	70	290
Sliding range: 300 mm Left - 300 mm Right						



SIDE DUMP PALET FORK

FRAME WIDTH (mm)	HEIGHT (mm)	TOTAL LENGTH (mm)	TINE USEFUL LENGTH (mm)	MIN. TINE WIDTH (mm)	MAX. TINE WIDTH DENT (mm)	WEIGHT (kgs)
1200	896	1375	1122	368	905	333



LOG GRIP

WIDTH (mm)	HEIGHT (mm)	LENGTH (mm)	GRIP OPENING (mm)	CYLINDER INSIDE DIAM. (mm)	WEIGHT (kgs)
1170	800	1120	930	80	276



MANURE FORK

WIDTH (mts)	HEIGHT (mm)	DEPTH (mm)	TEETH	TINE DIAMETER	TINE LENGTH	WEIGHT (kgs)
1,25	792	895	7	35	850	150
1,50	792	895	8	35	850	163
1,75	792	895	9	35	850	189
2,00	792	895	11	35	850	210
2,20	792	895	11	35	850	258



SUGAR CANE GRIP

WIDTH (mm)	HEIGHT (mm)	DEPTH (mm)	OUVERTURE PINCE	TEETH	GRIP OPENING	WEIGHT WITH 2 TINES (kgs)
1195	1060	970	970	2	1265	286

THIRD GRIP OPTION: 100 euros MORE - CYLINDER 60 mm- THIRD TINE WEIGHT: 62 kg



HYDRAULIC MANURE FORK

WIDTH (mts)	HEIGHT (mm)	DEPTH (mm)	TEETH	CYLINDER INSIDE DIAM. (mm)	GRIP OPENING	WEIGHT (kgs)
1,25	792	895	7	60	1265	265
1,50	792	895	8	60	1265	297
1,75	792	895	9	60	1265	330
2,00	792	895	11	60	1265	360
2,20	792	895	11	60	1265	410

LOWER TINE LENGTH: 820 mm - UPPER TINE LENGTH: 648 mm
TINE DIAMETER: 35 mm



PELICAN BUCKET

WIDTH (mts)	HEIGHT (mm)	DEPTH (mm)	TEETH	CYLINDER INSIDE DIAM. (mm)	GRIP OPENING	WEIGHT (kgs)
1,50	776	704	8	60	1165	298
1,75	776	704	9	60	1165	320
2,00	776	704	11	60	1165	374
2,20	776	704	11	60	1165	445

TINE LENGTH: 648 mm - TINE DIAMETER: 35 mm



SILAGE SHEARS

WIDTH (mts)	HEIGHT (mm)	DEPTH (mm)	TEETH	CYLINDER INSIDE DIAM. (mm)	GRIP OPENING	WEIGHT (kgs)
1,50	874	830	13	80	805	480
1,50	874	830	13	80	805	480
1,75	874	830	15	80	805	528
1,75	874	830	15	80	805	528

TINE LENG: 648 mm - TINE DIAMETER: 35 mm



WRAPPED ROUND BALES FORK

WIDTH (mm)	HEIGHT (mm)	DEPTH (mm)	USEFUL LENGTH	OPEN TINES (mm)	CLOSED TINES (mm)	WEIGHT (kgs)
1533	595	1303	1165	1830	526	255

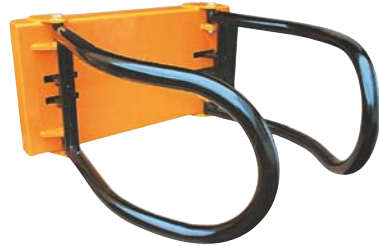
CYLINDER DIAMETER: 60 mm - TINE DIAMETER: 88 mm - TINE LENGTH: 1220 mm



WRAPPED ROUND BALES GRIP

WIDTH (mm)	HEIGHT (mm)	DEPTH (mm)	GRIP OPENING	WEIGHT (kgs)
1312	677	1305	2640	282

CYLINDER DIAMETER: 75 mm



ROUND BALES FORK

WIDTH (mm)	HEIGHT (mm)	DEPTH (mm)	GRIP WIDTH	TEETH (mm)	WEIGHT (kgs)
1172	643	1160	800	2	101

TINE LENGTH: 1200 mm - TINE DIAMETER: 45 mm



SQUARE BALES FORK

WIDTH (mm)	HEIGHT (mm)	DEPTH (mm)	TEETH (mm)	WEIGHT (kgs)
1775	1350	1110	5	224

TINE LENGTH: 820 mm - TINE DIAMETER: 35 mm
TINE OPTION: 1100 mm



SLIDING SQUARE BALES FORK

WIDTH (mm)	HEIGHT (mm)	DEPTH (mm)	TEETH (mm)	WEIGHT (kgs)
1775	1350	1110	5	327

TINE LENGTH: 820 and 1100 mm - TINE DIAMETER: 35 mm
SLIDING RANGE: 300 mm - CYLINDER DIAMETER: 70 mm



DOZER BLADE

WIDTH (mts)	HEIGHT (mm)	WEIGHT (kgs)
2,00	500	228
2,50	500	267



SILAGE BUCKET

WIDTH (mts)	HEIGHT (mm)	DEPTH (mm)	INSIDE REINFORCEMENTS	CYLINDER DIAMETER	CAPACITY	WEIGHT (kgs)
2,00	894	907	2	60	903	484
2,20	894	907	3	60	993	525
2,40	894	907	3	60	1083	566

Removable rotor blades



tenías





TENÍAS, S.A., a company specialized in the manufacture of front loaders, owns the technology and experience enough for its recognition both in national and international markets.

All its sections are equipped with the latest machinery and technology means that make the most of its manufacture quality. There is no better proof of the confidence the customers have in Tenías than the 50 years we have spent in this business.





FACTORY AND HEADQUARTERS

Joaquín Costa, 43 • 50600 EJE A DE LOS CABALLEROS • Zaragoza (Spain)

Tel. +34 976 67 71 50 / Fax. +34 976 66 12 15

e-mail: gbrun@tenias.com

EXPORT DEPARTMENT

Carlos FRANCO

Tel. +33 607 17 31 56

e-mail: export.tenias@wanadoo.fr

Carlos - Michael FRANCO

Tel. +353 858 37 13 14

e-mail: export.tenias@wanadoo.fr